

Testé conforme selon norme : NF.EN 13 229

Organisme certificateur :

 CTIF, 44 av. de la Division Leclerc  
92318 Sèvres Cedex

 Rapport n°  
TD N° 4804 / TD N° 4804 P



 Guy-Cédric Galéa, Directeur général  
**Jøtul France SAS**  
3, chemin du Jubin - 69570 Dardilly

# ATRAFLAM 16/9 800 - Left or right handed corner

## Features

Nominal heat output	kW : 14.9
Efficiency	% : 76.8
Flue gas temperature	°C : 287
Flue gas volume	g/sec : 14.6
CO emissions (13% O <sub>2</sub> )	% : 0.09
Dust (13% O <sub>2</sub> )	mg/Nm <sup>3</sup> : 36.0
OGC (13% O <sub>2</sub> )	mg/Nm <sup>3</sup> : 118.5
NOx (13% O <sub>2</sub> )	mg/Nm <sup>3</sup> : 63.7
Mean CO <sub>2</sub> content	% : 8.90
Energy efficiency index	: 101
Authorized combustible	: Wood
Recommended draught conditions	Pa±2 : 12
Total weight	kg : 240 kg

## Air supply

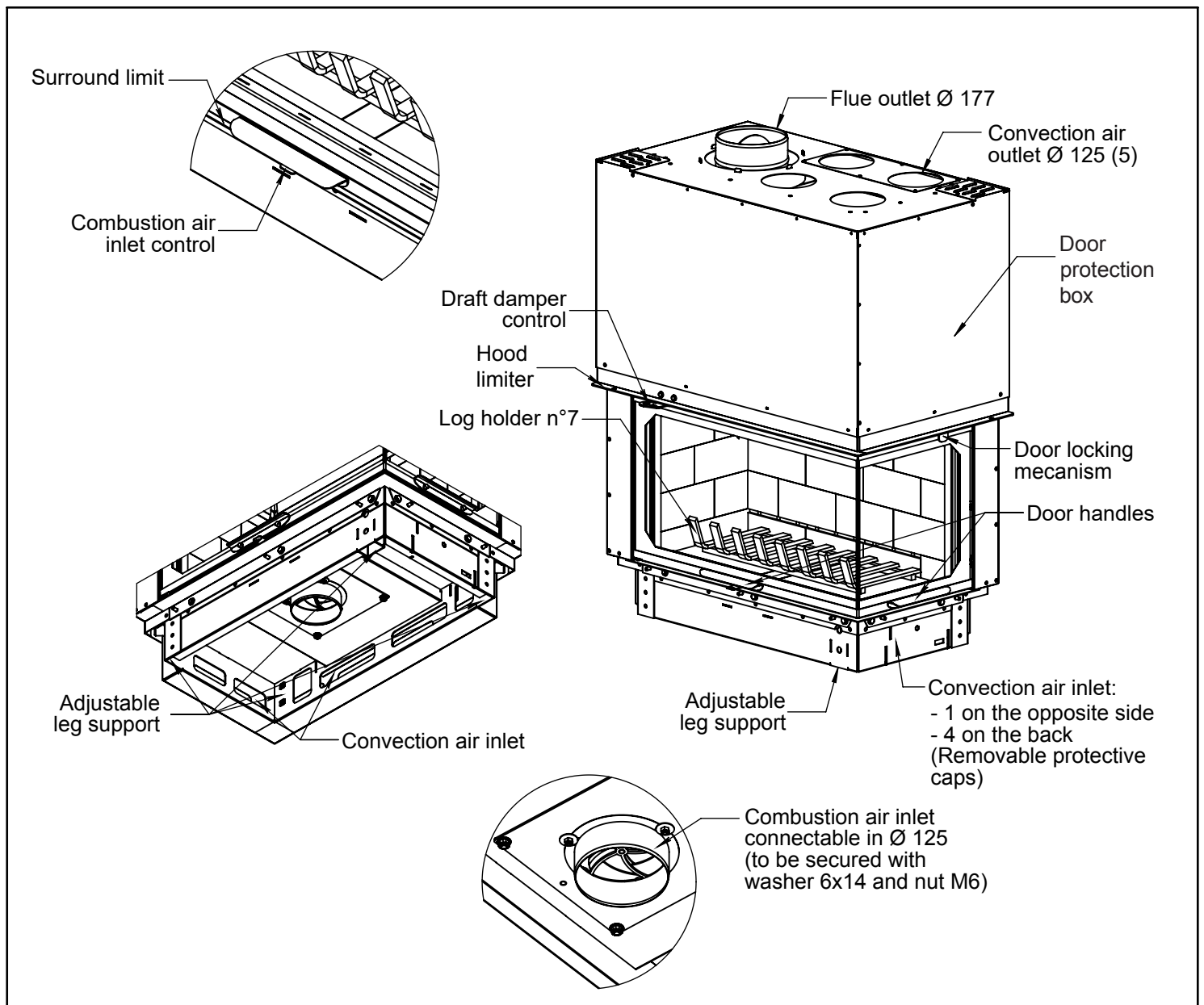
- Requirement for external fresh air inlet  
 Minimum of 120 cm<sup>2</sup> of air passage cross-section for the operation of the fireplace.  
 Combustion air inlet connectable in Ø 125.  
 Warning ! the Ø of the combustion air inlet duct must be provided to compensate for the pressure losses due to the air circuit.

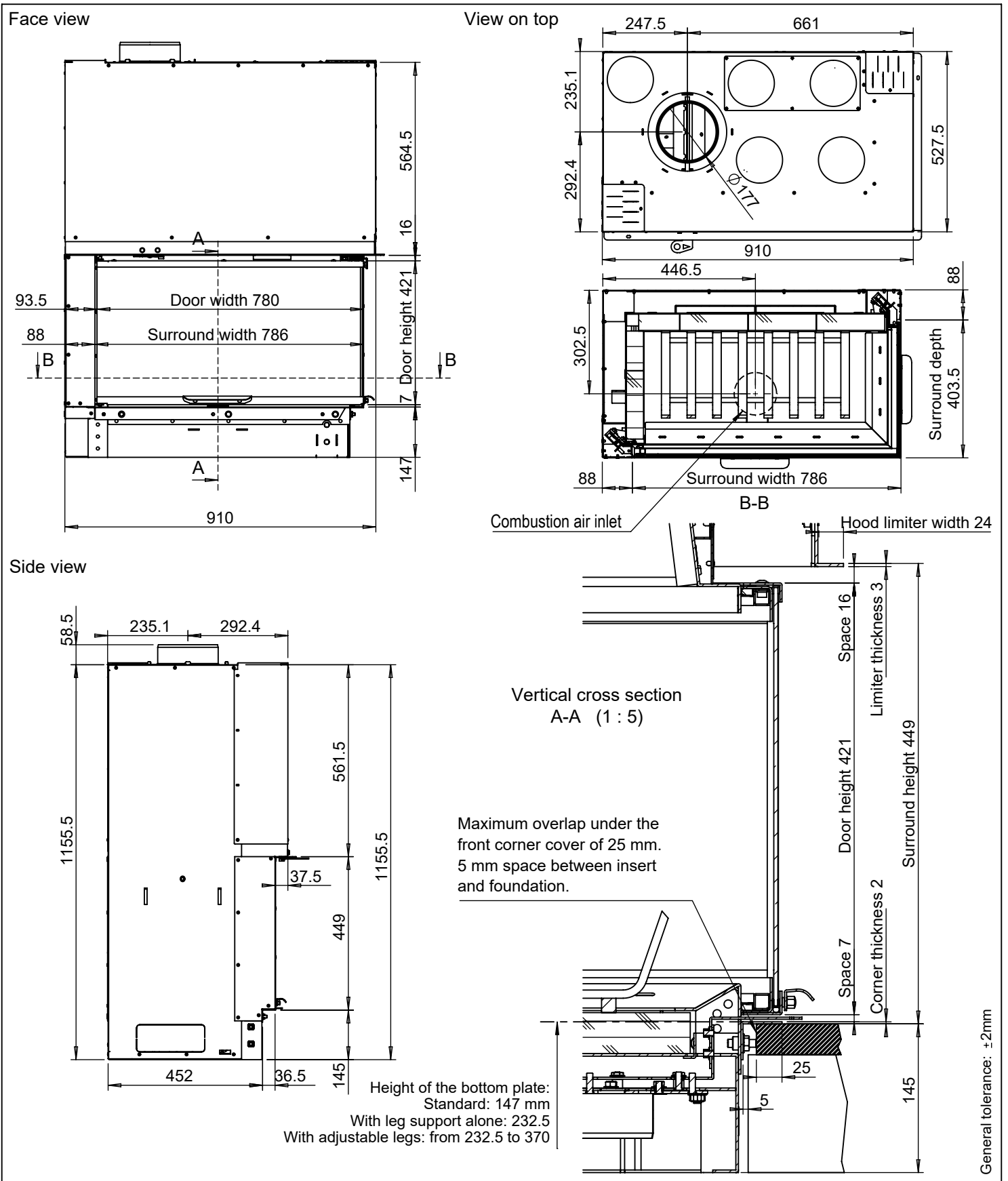
- Internal convection air inlet  
 Minimum of 615 cm<sup>2</sup> for the cross section area


- Convection air outlet  
 5 outlets Ø 125 male (cannot be blocked)  
 Minimum of 665 cm<sup>2</sup> for the cross section area

## Flue pipe convection

Ø177 male (cannot be reduced)





According to standard: NF.EN 13 229		 Guy-Cédric Galéa, Directeur général <b>Jøtul France SAS</b> 3, chemin du Jubin - 69570 Dardilly
Notified body: CTIF, 44 av. de la Division Leclerc 92318 Sèvres Cedex	Test report TD N° 4804 / TD N° 4804 P	
ATRAFLAM 16/9 800 - Left or right handed corner	2015/11	ATF16_9_800_VL_DT_UK_122021